

BHD SERIES

Hydraulic Concrete Distributors

CONTENTS

BHD SERIES Hydraulic Concrete Distributors





1990 senesinde İstanbul'da kurulmuş olan Boom Makina, üretim faaliyetlerini Ömerli-İstanbul'daki tesislerinde devam ettirmektedir.

Boom Makina has been founded in Istanbul at 1990 and continues production activities in Omerli-Istanbul Facilities.

Boom Makina, Türkiye'de Beton Dağıtım Makinası üreten ilk şirket olmakla beraber; yeni teknolojileri üretimine taşıyan, yatırımları ile üretim kapasitesini ve kalitesini arttıran, her geçen gün kendini geliştiren ve ilerleyen bir firmadır.

In addition to being the first company that manufactures Concrete Distributor Machine in Turkey; Boom Makina who integrates new technologies to the production line and increases the production capacity and quality by investments, is a developing and progressive company.

Özellikle son yıllarda yaptığımız AR-GE çalışmalarımızın destekleriyle geliştirdiğimiz BHD Serisi ürünlerimiz inşaat sektörünün en önemli unsurlarından biri haline gelmiştir.

Especially our BHD series Concrete Distributors that we have improved by our R&D activities have been one of the most important elements in the Construction Sector.

Bu kataloğumuzda size; TSE, ISO 9001 ve CE belgeleri güvencesiyle imal ettiğimiz Beton Dağıtıcılarımızın tanıtım ve teknik bilgilerini sunuyoruz.

Inside this catalogue, You are going to find Technical Information about our Concrete Distributors that we produce them with the assurance of TSE, ISO 9001 and CE certificates.

www.boom.com.tr





BHD 32 + 4 Series Technical Specifications

Mast Set



X3

Unit weight: 2050kg

3 x 2050 = 6150kg

Equipments: 900kg

Mast dimensions:

750 x 750 x 6000mm

Weight

Pedestal & Mainboom : 4400kg

Boom Section : 4500kg

Mast Equipments : 900kg

Mast Set : 6150kg

+ 15950 kg

Loads On Slabs

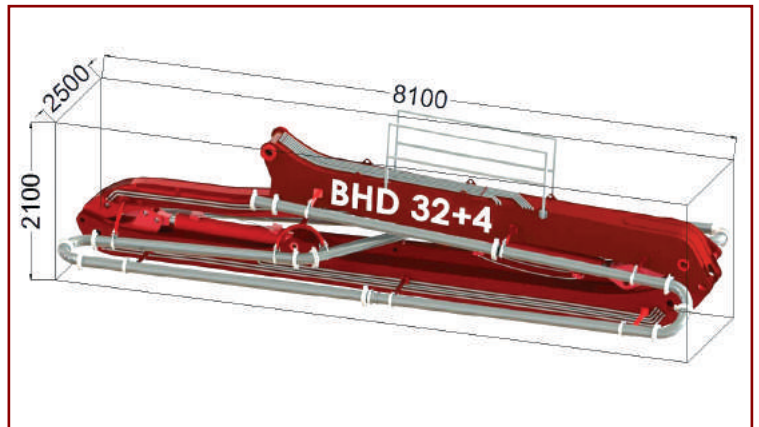
Horizontal Force = $F_{HOR} = 133 \text{ kN}$

Vertical Force = $F_{VER} = 250 \text{ kN}$

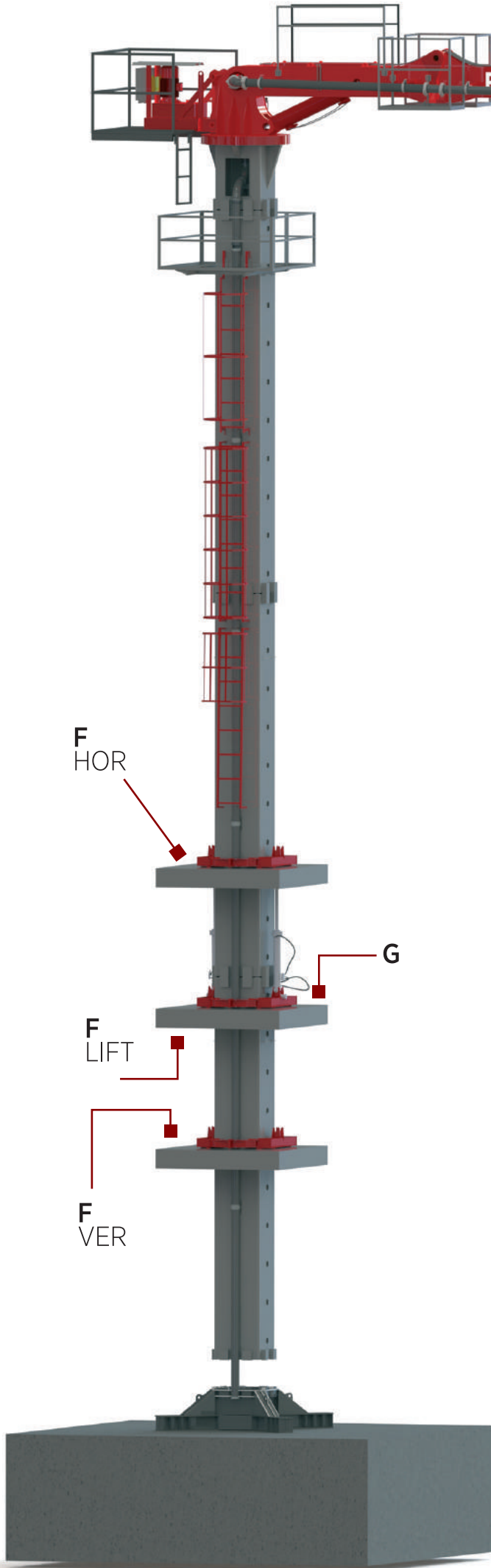
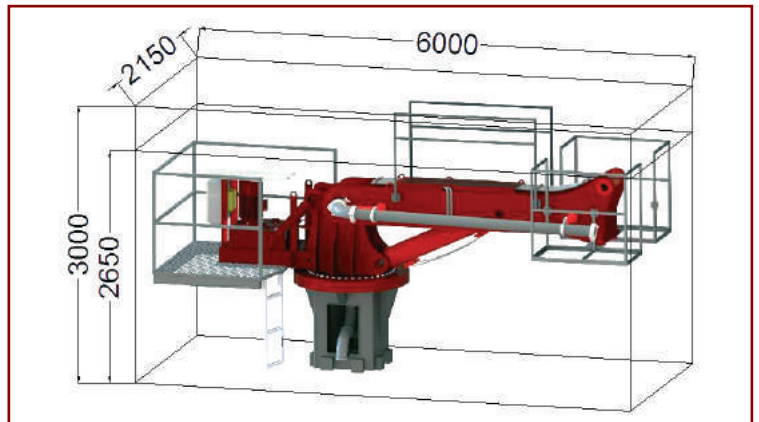
Lifting Force = $F_{LIFT} = 208 \text{ kN}$

Note: Safety Coefficient S=1,35

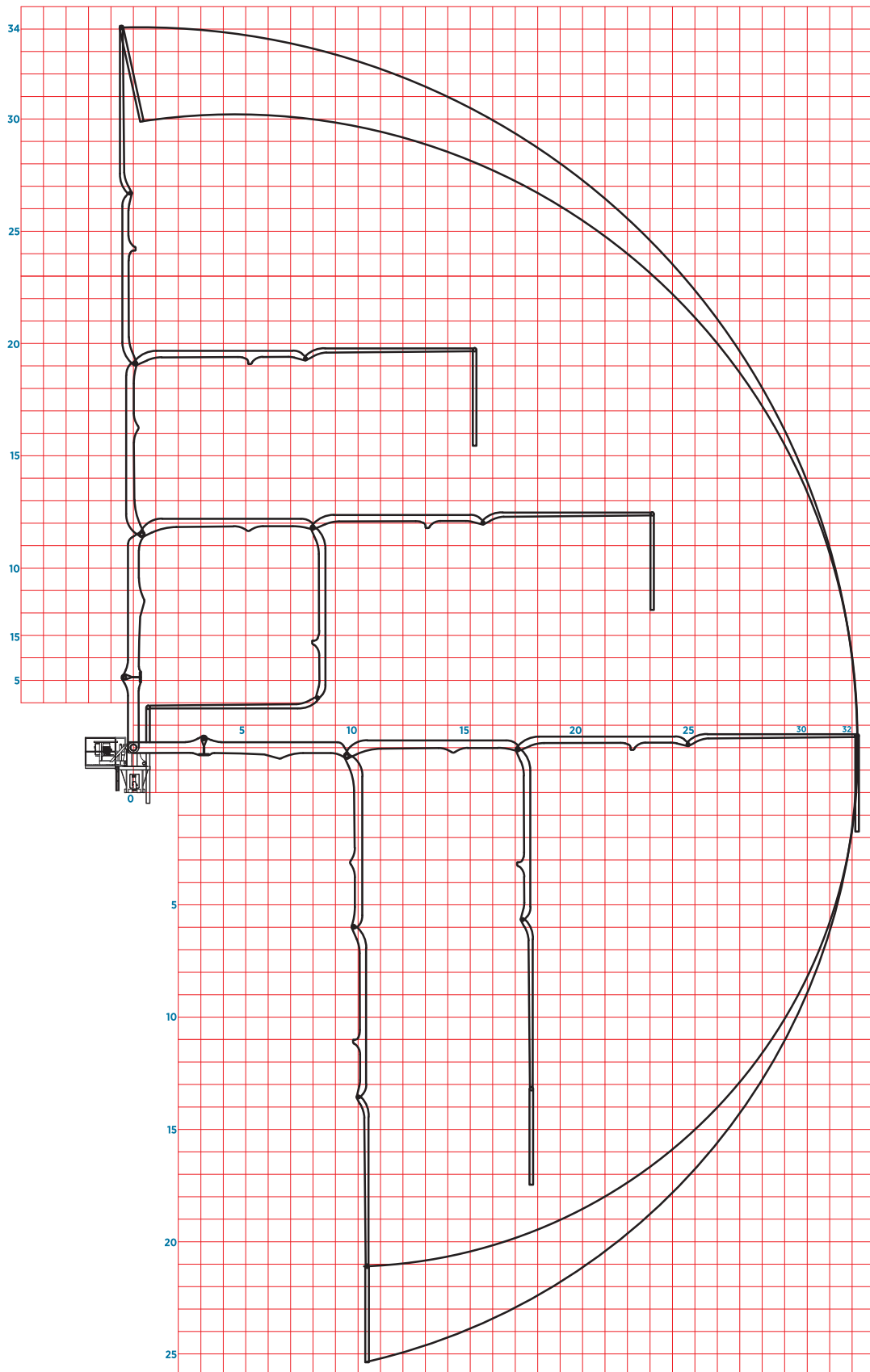
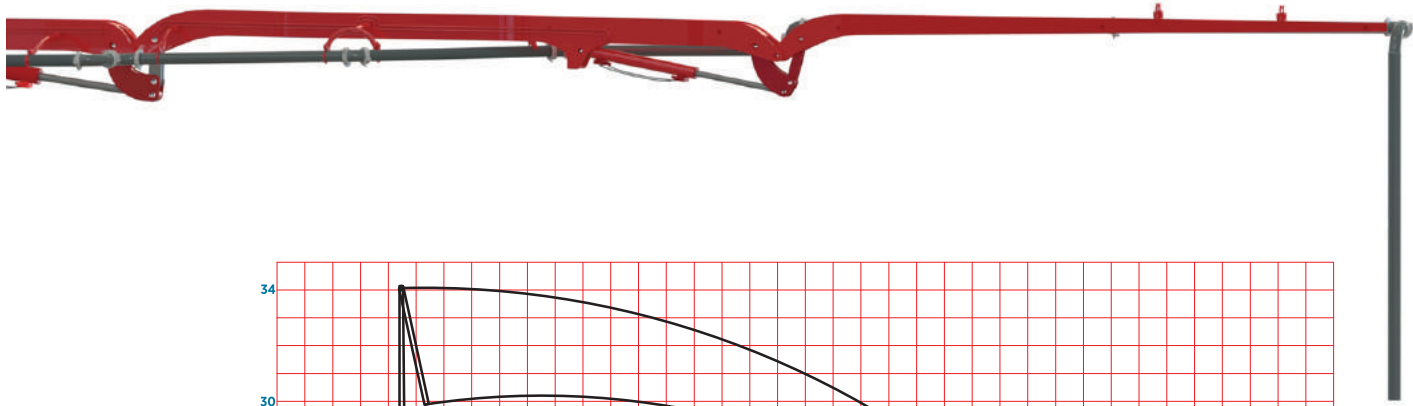
Boom Section (4500kg)



Boom Pedestal & Mainboom (4400kg)



BHD 32+4





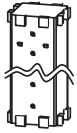


BHD 28+4

BHD 28 + 4 Series Technical Specifications

Mast Set

Weight

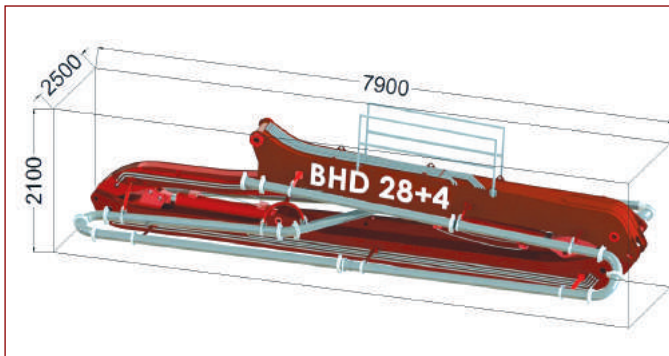


X3

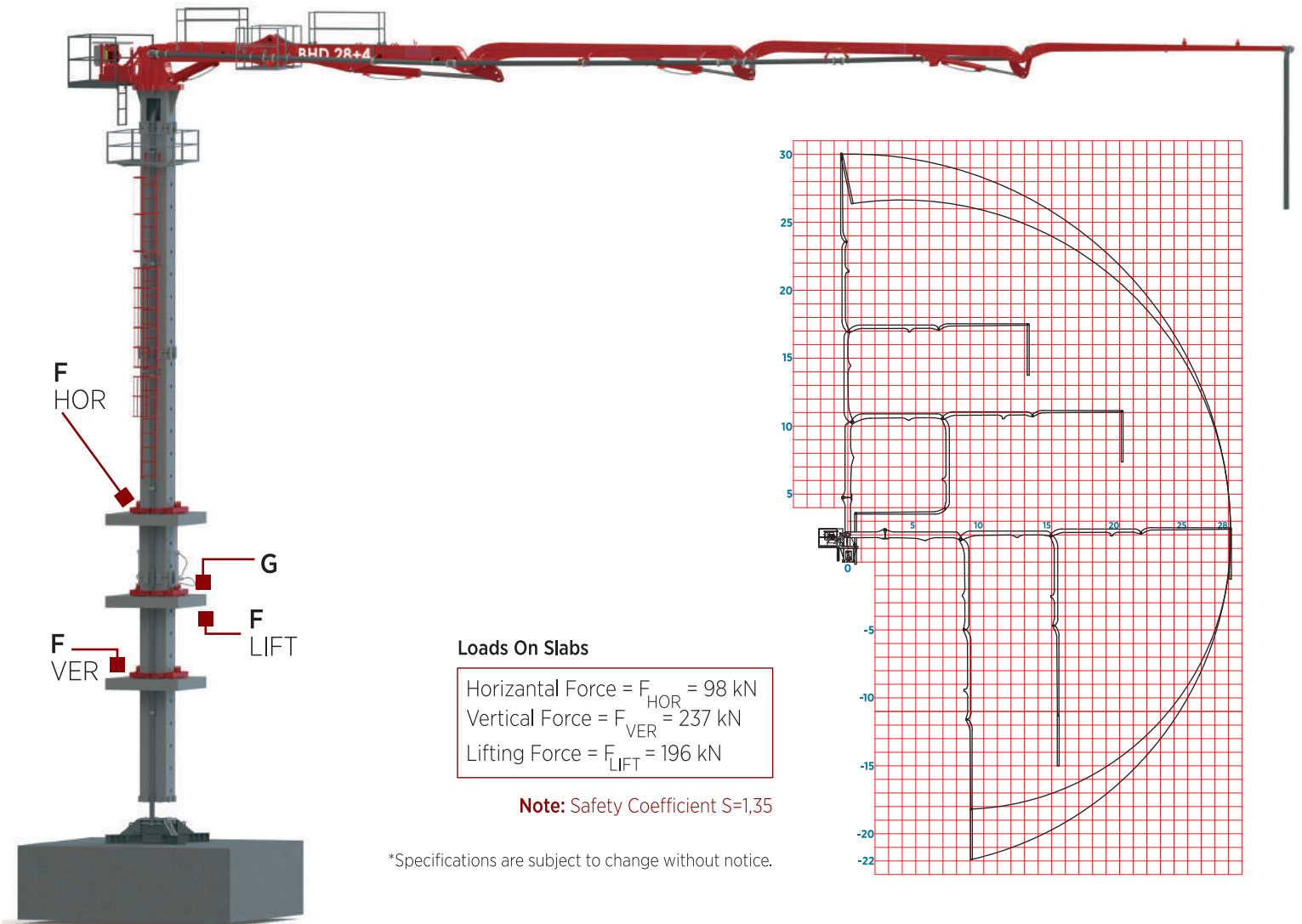
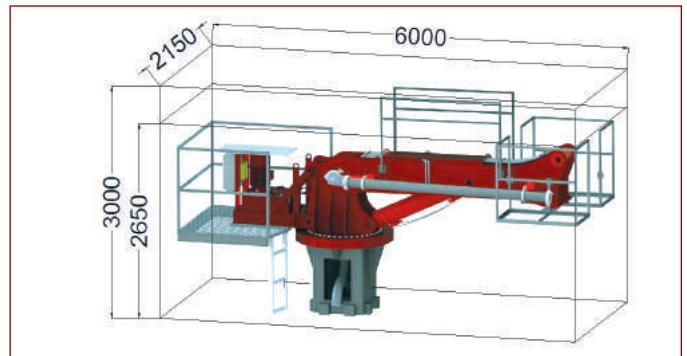
Unit weight: 2050kg
 3 x 2050 = 6150kg
 Equipments: 900kg
 Mast dimensions:
 750 x 750 x 6000mm

Pedestal & Mainboom	: 4250kg
Boom Section	: 4050kg
Mast Equipments	: 900kg
Mast Set	+ : 6150kg
	15350 kg

Boom Section (4050kg)



Boom Pedestal & Mainboom (4250kg)

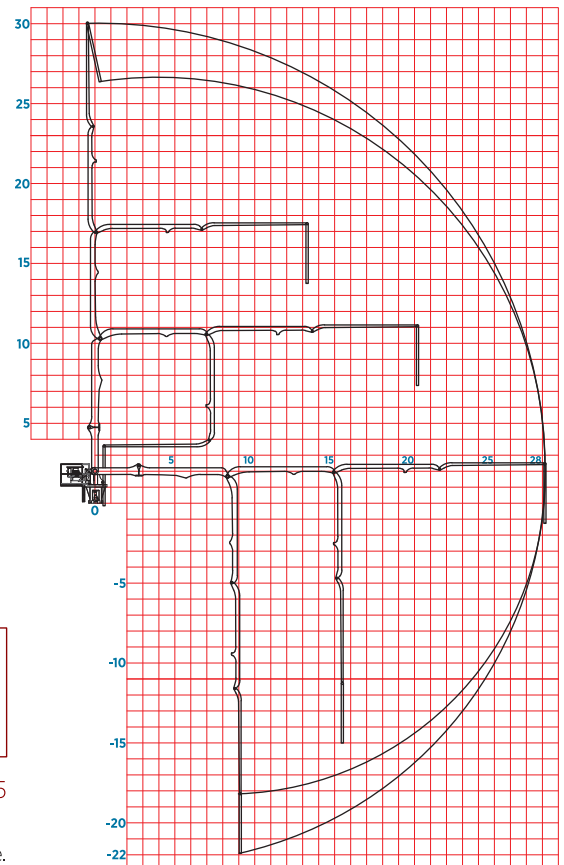


Loads On Slabs

Horizontal Force = $F_{HOR} = 98 \text{ kN}$
 Vertical Force = $F_{VER} = 237 \text{ kN}$
 Lifting Force = $F_{LIFT} = 196 \text{ kN}$

Note: Safety Coefficient $S=1,35$

*Specifications are subject to change without notice.



BHD 24+3

Bhd 24 + 3 Series Technical Specifications

Mast Set

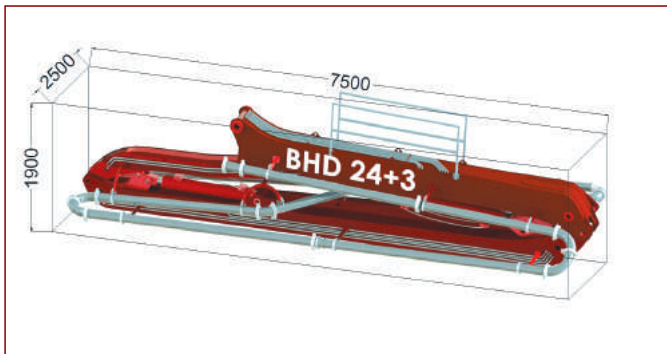
Weight



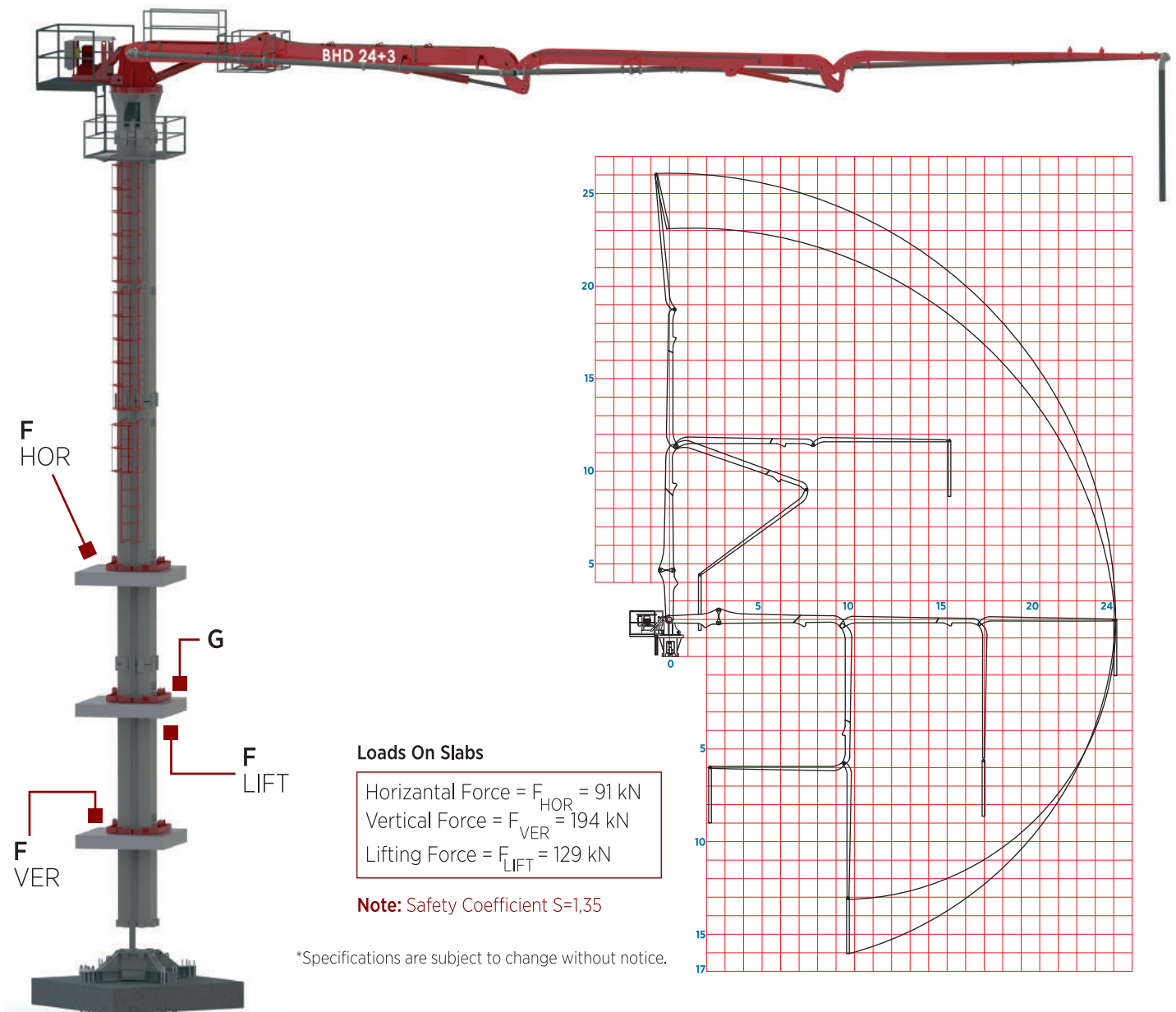
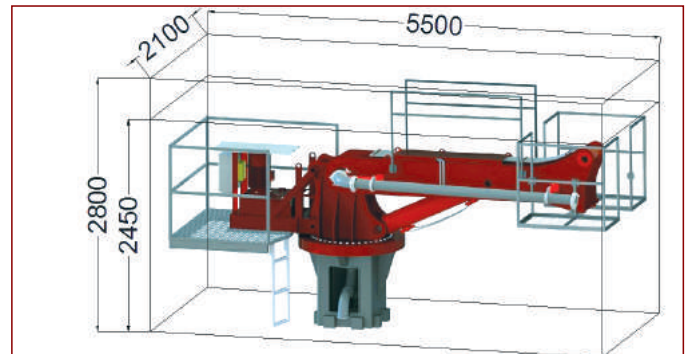
Unit weight: 2050kg
 3 x 2050 = 6150kg
 Equipments: 900kg
 Mast dimensions:
 750 x 750 x 6000mm

Pedestal & Mainboom	: 3500kg
Boom Section	: 2600kg
Mast Equipments	: 900kg
Mast Set	+ : 6150kg
	13150 kg

Boom Section (2600kg)



Boom Pedestal & Mainboom (3500kg)





BHD 18 + 3 Series Technical Specifications

Mast Set



x2

Unit weight: 1450kg
 2 x 1450 = 2900kg
 Equipments: 800kg
 Mast dimensions:
 600 x 600 x 6000mm

Weight

Ballast Beam & Mainboom	: 1400kg
Boom Section	: 1745kg
Mast Equipments	: 800kg
Mast Set	: 2900kg
Counterweight	+ : 2500kg
	9345 kg

Loads On Slabs

Horizontal Force = $F_{HOR} = 45 \text{ kN}$
Vertical Force = $F_{VER} = 138 \text{ kN}$
Lifting Force = $F_{LIFT} = 91 \text{ kN}$

Note: Safety Coefficient $S=1,35$

F_{HOR}



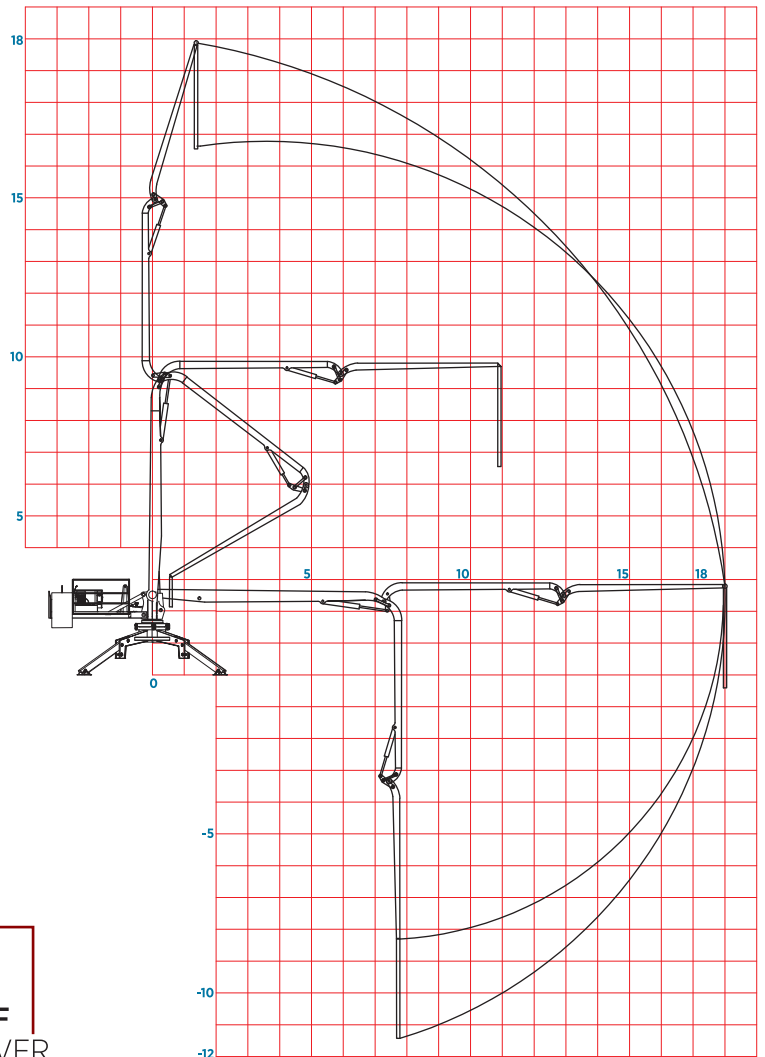
G



F_{LIFT}



F_{VER}

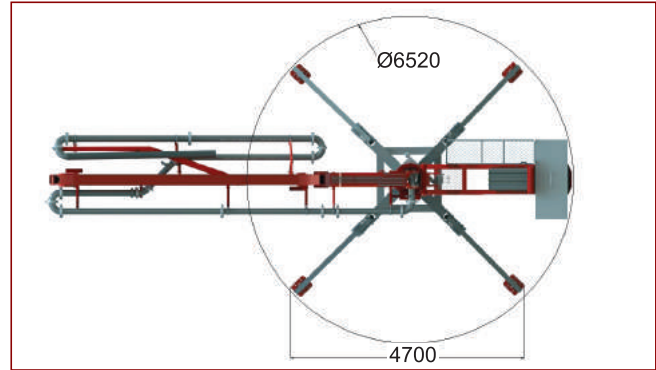
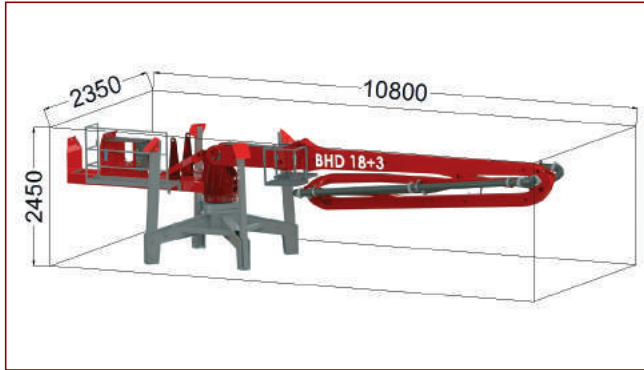


*Specifications are subject to change without notice.

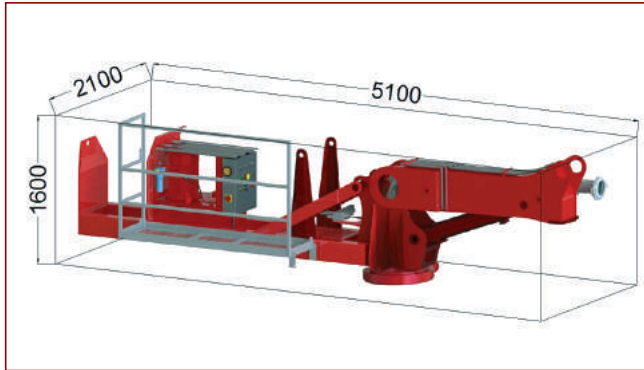
BHD 18+3



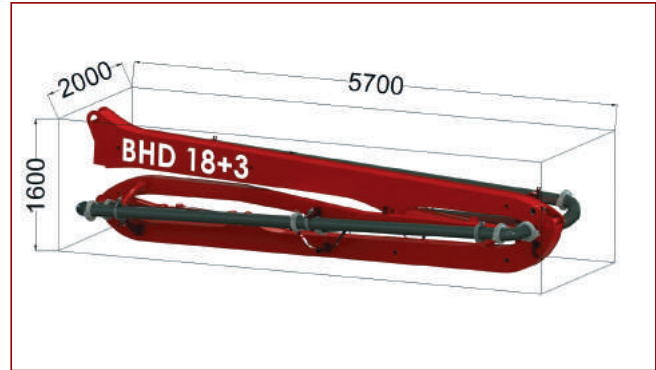
Transportation Size (4050kg)



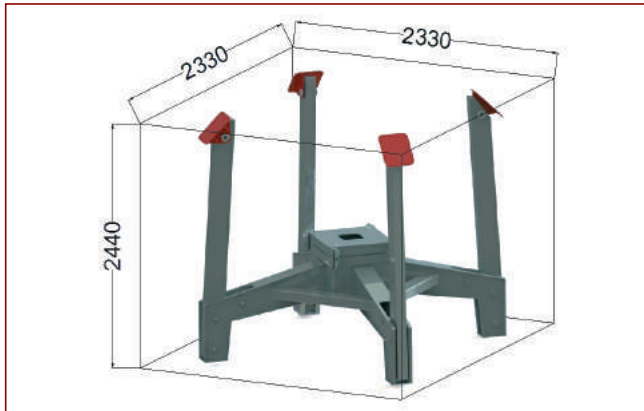
Ballast Beam & Mainboom (1400kg)



Boom Section (1745kg)



Leg Set (900kg) - For both 17m & 18m





BHD 17+3

BHD 17 + 3 Series Technical Specifications

Mast Set

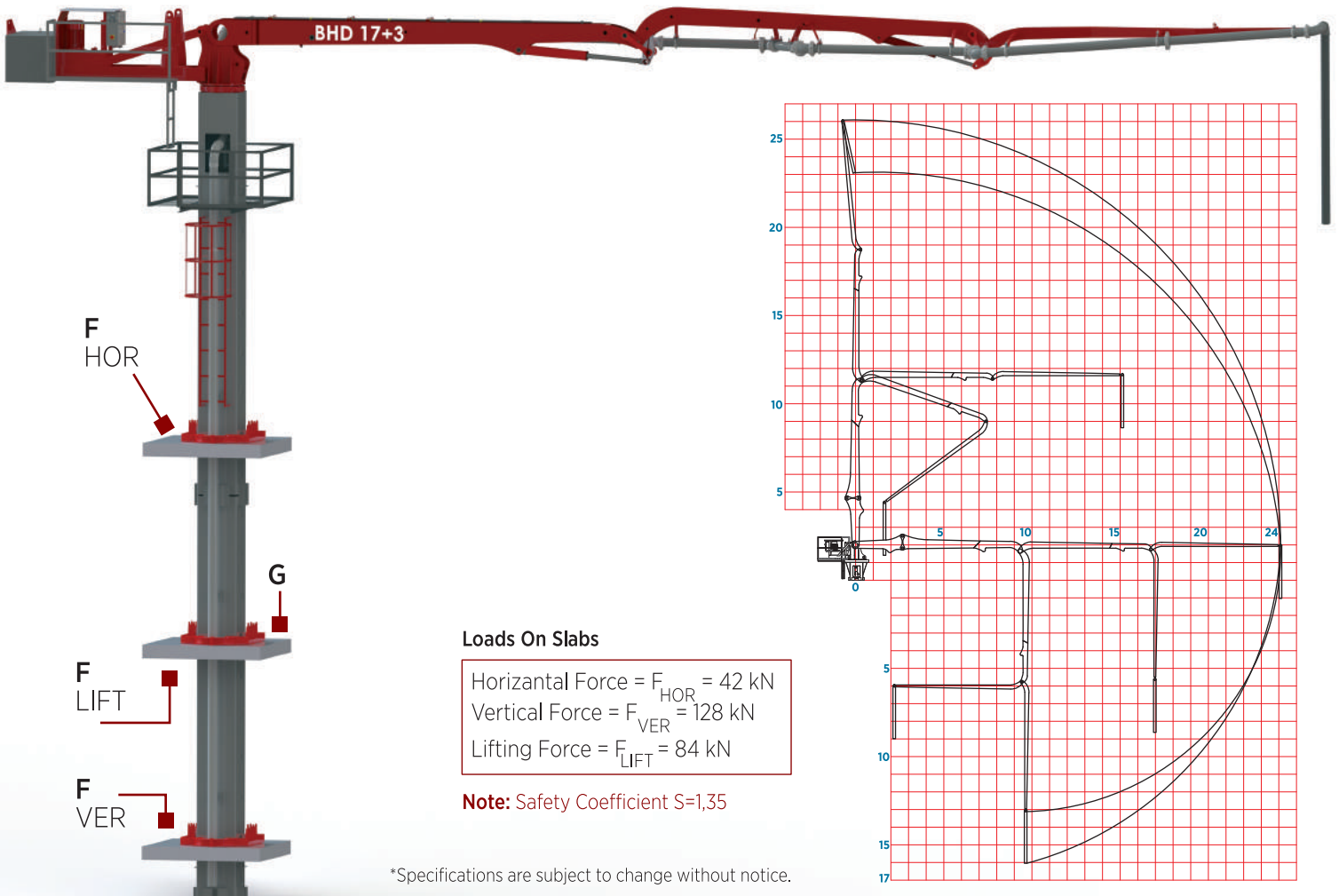
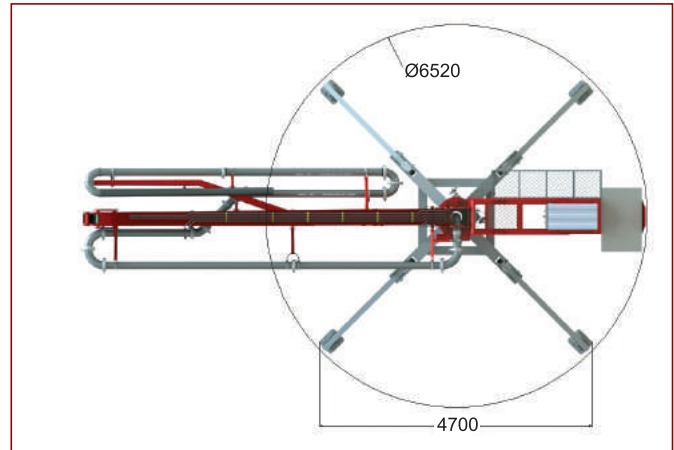
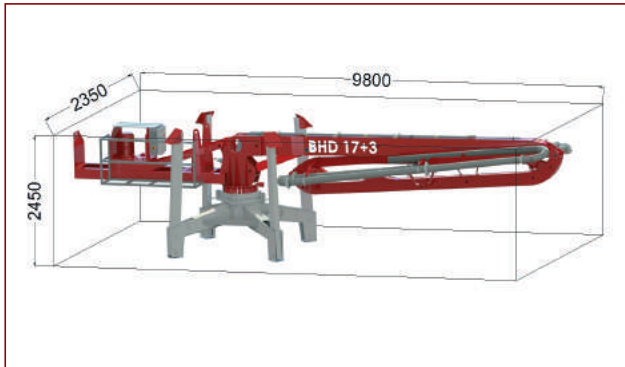
Weight



Unit weight: 1450kg
 2 x 1450 = 2900kg
 Equipments: 800kg
 Mast dimensions:
 600 x 600 x 6000mm

Complete Boom	: 3000kg
Mast Equipments	: 800kg
Mast Set	: 2900kg
Counterweight	+ 2250kg
	8950 kg

Transportation Size (3900kg)



Loads On Slabs

Horizontal Force = $F_{HOR} = 42 \text{ kN}$
 Vertical Force = $F_{VER} = 128 \text{ kN}$
 Lifting Force = $F_{LIFT} = 84 \text{ kN}$

Note: Safety Coefficient $S=1,35$

*Specifications are subject to change without notice.



BHD 13 Series Technical Specifications

Mast Set



x2

Unit weight: 1450kg
 2 x 1450 = 2900kg
 Equipments: 800kg
 Mast dimensions:
 600 x 600 x 6000mm

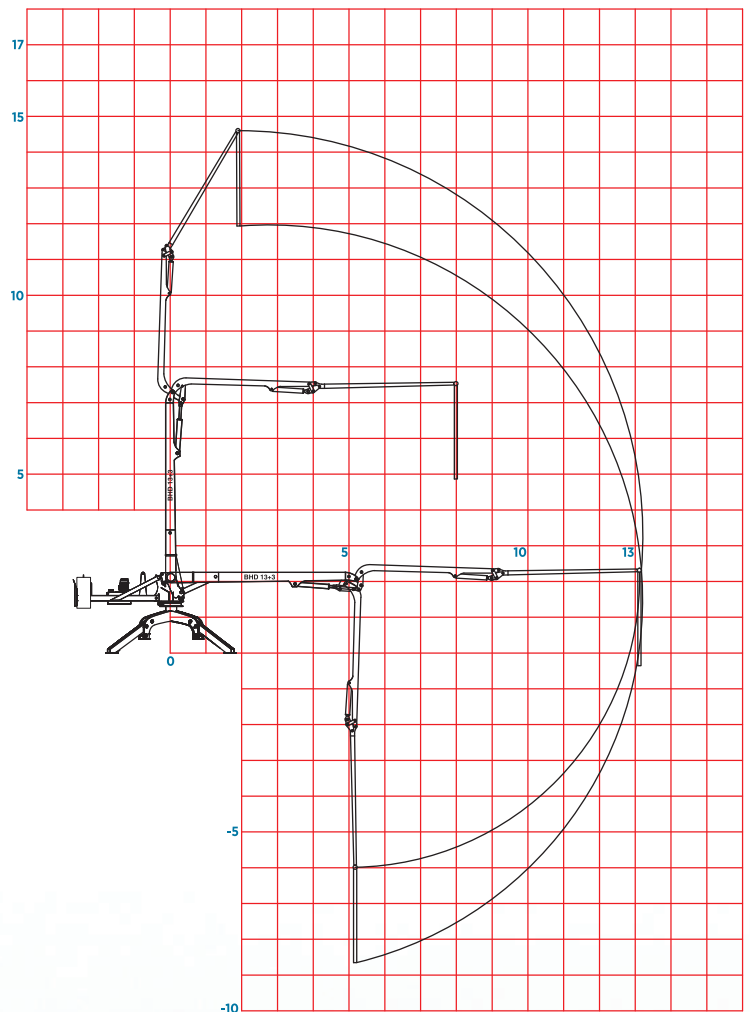
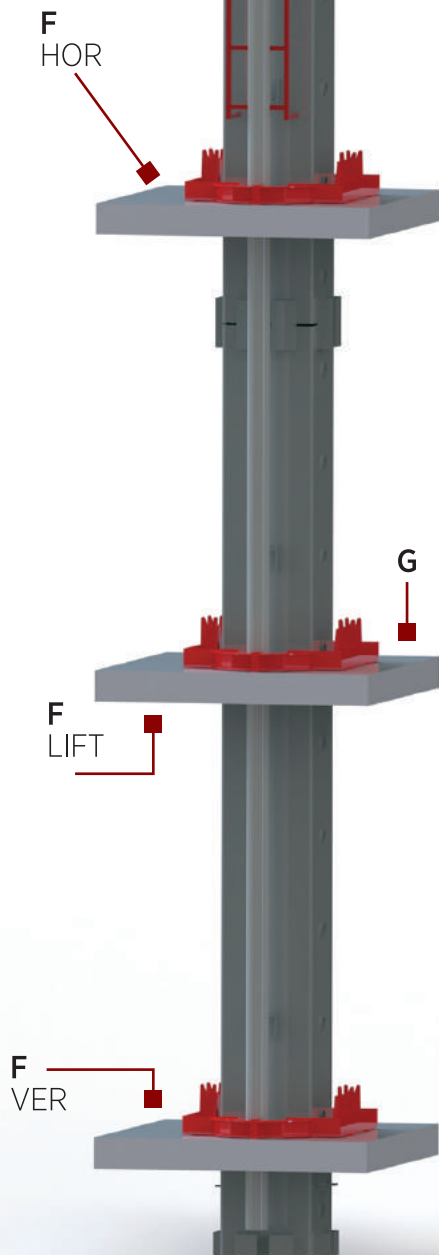
Weight

Complete Boom	: 1750kg
Mast Equipments	: 800kg
Mast Set	: 2900kg
Counterweight	+ 1215kg
	6665 kg

Loads On Slabs

Horizontal Force = $F_{HOR} = 24,3 \text{ kN}$
Vertical Force = $F_{VER} = 99,5 \text{ kN}$
Lifting Force = $F_{LIFT} = 65 \text{ kN}$

Note: Safety Coefficient $S=1,35$

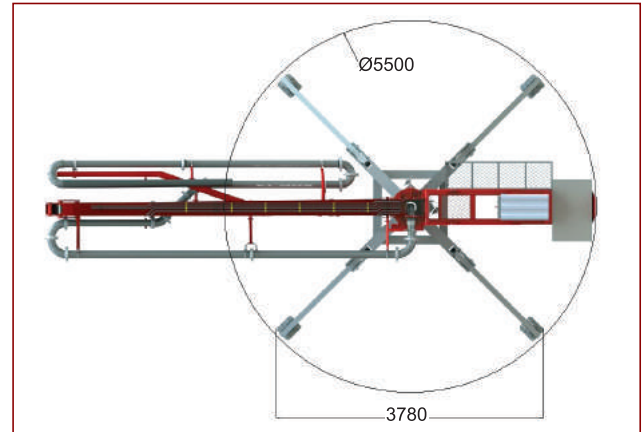
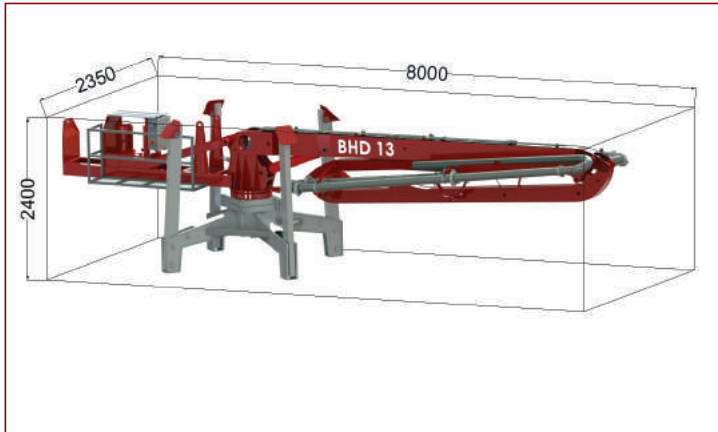


*Specifications are subject to change without notice.

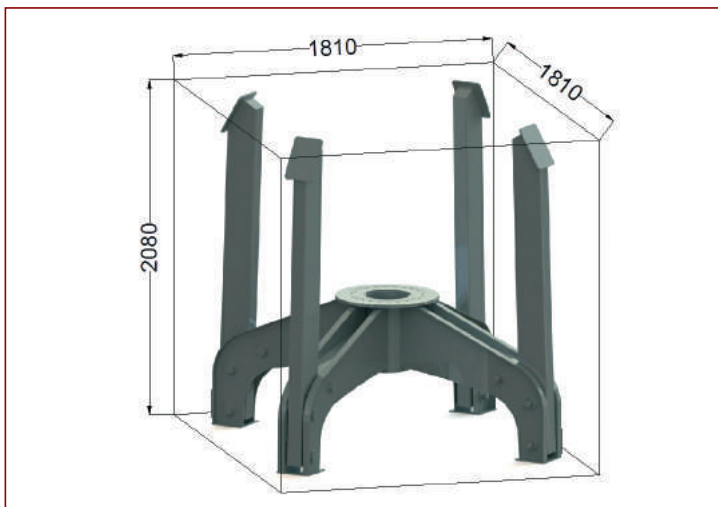
BHD 13



Transportation Size (2350kg)



Leg Set (600)



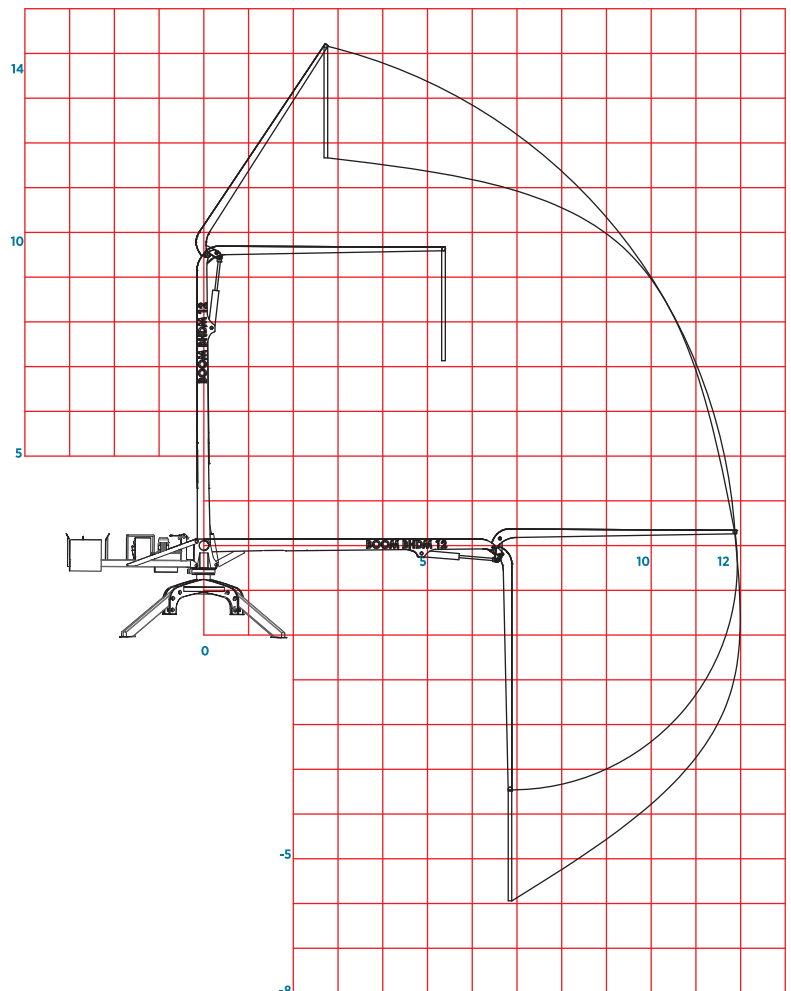
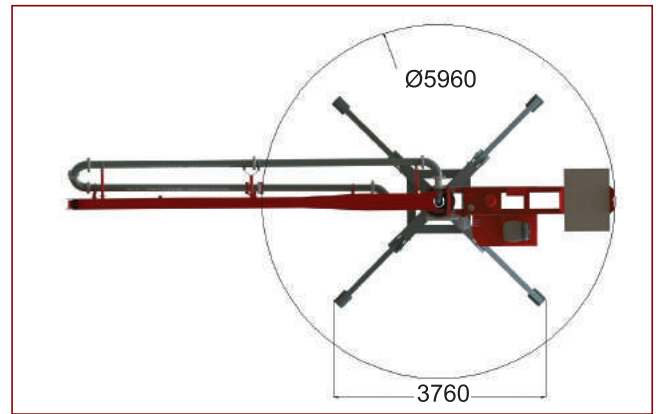
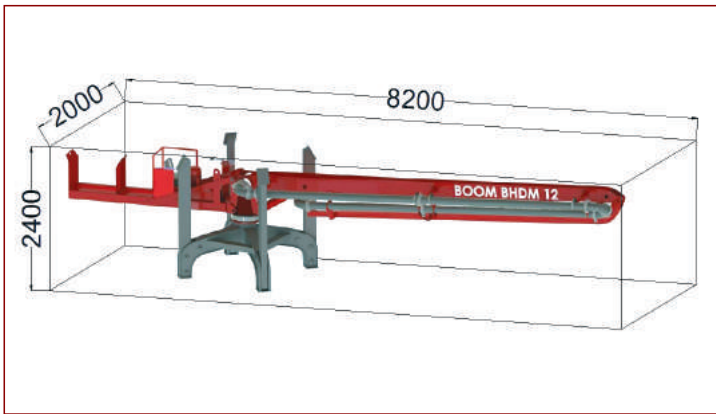
BHDM 12

BHDM 12 Series Technical Specifications

Weight

Leg Set	: 500kg
Boom Section	: 1700kg
Counterweight	+ : 1240kg
	3440 kg

Transportation Size (2200kg)



*Specifications are subject to change without notice.

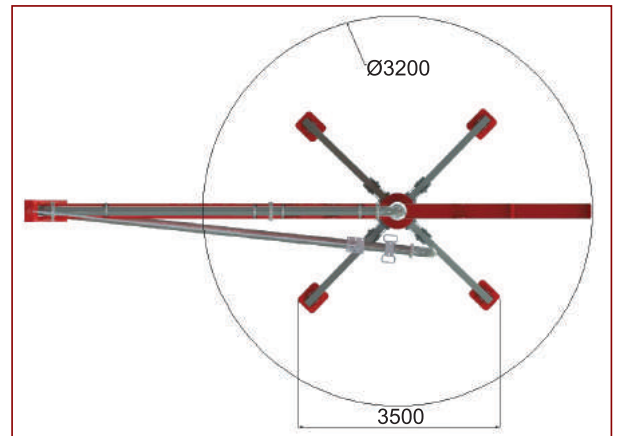
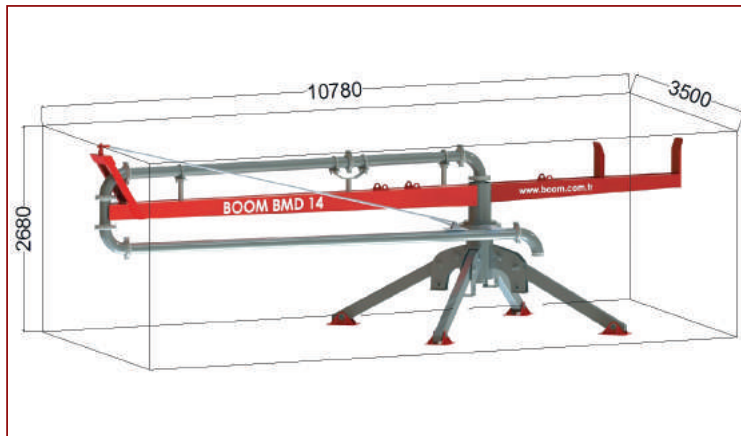
BMD 10 - 12 - 14

BMD Series 10-12-14 Mechanical Distributor Booms

DESCRIPTION			
Boom Type	BMD 10	BMD 12	BMD 14
Max. Vertical Reach	1350mm	1350mm	1350mm
Max. Horizontal Reach	10m	12m	14m
Delivery Pipe Dia.	125mm	125mm	125mm
Slewing Range	Free	Free	Free
Weight of the Machine	1050kg	1350kg	1450kg
Ballance Weight	975kg	1100kg	1300kg
Transportation Size	1600x2220x8000	1600x220x9100	1600x220x11100

*Specifications are subject to change without notice.

Transportation Size (1450kg)









Head Office

İmes Sanayi Sitesi A Blok 109 Sk. No:9/B Y.Dudullu İstanbul Türkiye
T +90 216 314 37 36 / +90 216 420 16 44 F +90 216 420 16 43

Factory

Ömerli Uran Cd. No: 28/30 Çekmeköy İstanbul Türkiye
T +90 216 435 73 10 F +90 216 435 74 79

info@boom.com.tr - boom.com.tr